

DESIGN NOTES:

LEVELS 1, AND 2 SHALL BE DESIGNED FOR AN ORDINARY GROUP II OCCUPANCY WITH A DENSITY OF 20 OVER THE MOST REMOTE 1,500 SQUARE FEET.

- A. CORE AND SHELL SPACE: 130 SQ. FT.
- B. STORAGE AREAS: 130 SQ. FT.
- C. MECHANICAL EQUIPMENT ROOMS: 130 SQ. FT.
- D. ELECTRICAL EQUIPMENT ROOMS: 130 SQ. FT.
- E. OTHER AREAS: ACCORDING TO NFPA 13, 2016.

CONSTRUCTION TYPE: II-B
 OCCUPANCY TYPE: INDUSTRIAL ASSEMBLY F-2
 LEVEL 1 - APPROXIMATE SQUARE FOOT: 30,530
 LEVEL 2 - APPROXIMATE SQUARE FOOT: 30,530

ADDITIONAL NOTES:

PIPE USED ON THIS PROJECT SHALL BE EITHER DOMESTIC OR IMPORT, EITHER BLACK STEEL, INCLUDING BUT NOT LIMITED TO, ASTM A53, A795 OR A135, INCLUDING SCHEDULE 40, SCHEDULE 10, DYNA-THREAD 40 DYNA-FLOW OR CPVC UL LISTED AND/OR FM APPROVED, AS ALLOWED BY NFPA 13, AT THE SUPPLIERS DISCRETION.

BUILDING CONSTRUCTION CONSIST OF BEAM, JOIST AND GIRT CONSTRUCTION SUPPORTING METAL DECKING.

HAS NOT

BEEN CONTRACTED TO PROVIDE THE FOLLOWING:

1. UNDERGROUND SUPPLY LINE FROM SUPPLY SOURCE TO FIRST FLANGE ABOVE FINISHED FLOOR.
2. FLUSHING AND TESTING OF WORK INSTALLED BY OTHERS.
3. ELECTRICAL WIRING OF ANY TYPE.
4. PAINTING AND/OR LABELING OF FIRE SPRINKLER PIPING.
5. FIREPROOFING OR CAULKING OF FIRE SPRINKLER PIPE.
6. FIRE EXTINGUISHERS OR CABINETS.
7. OVERTIME WORK BEYOND CERTIFIED FIRE PROTECTION'S NORMAL WORKING HOURS.

DESIGNED PER NFPA 13, 2016 EDITION

SHEET 1: DETAIL & TITLE PAGE
 SHEET 2: LEVEL 1 FIRE PROTECTION PLAN
 SHEET 3: LEVEL 2 FIRE PROTECTION PLAN

LEVEL 1 RISER ROOM NOTES:

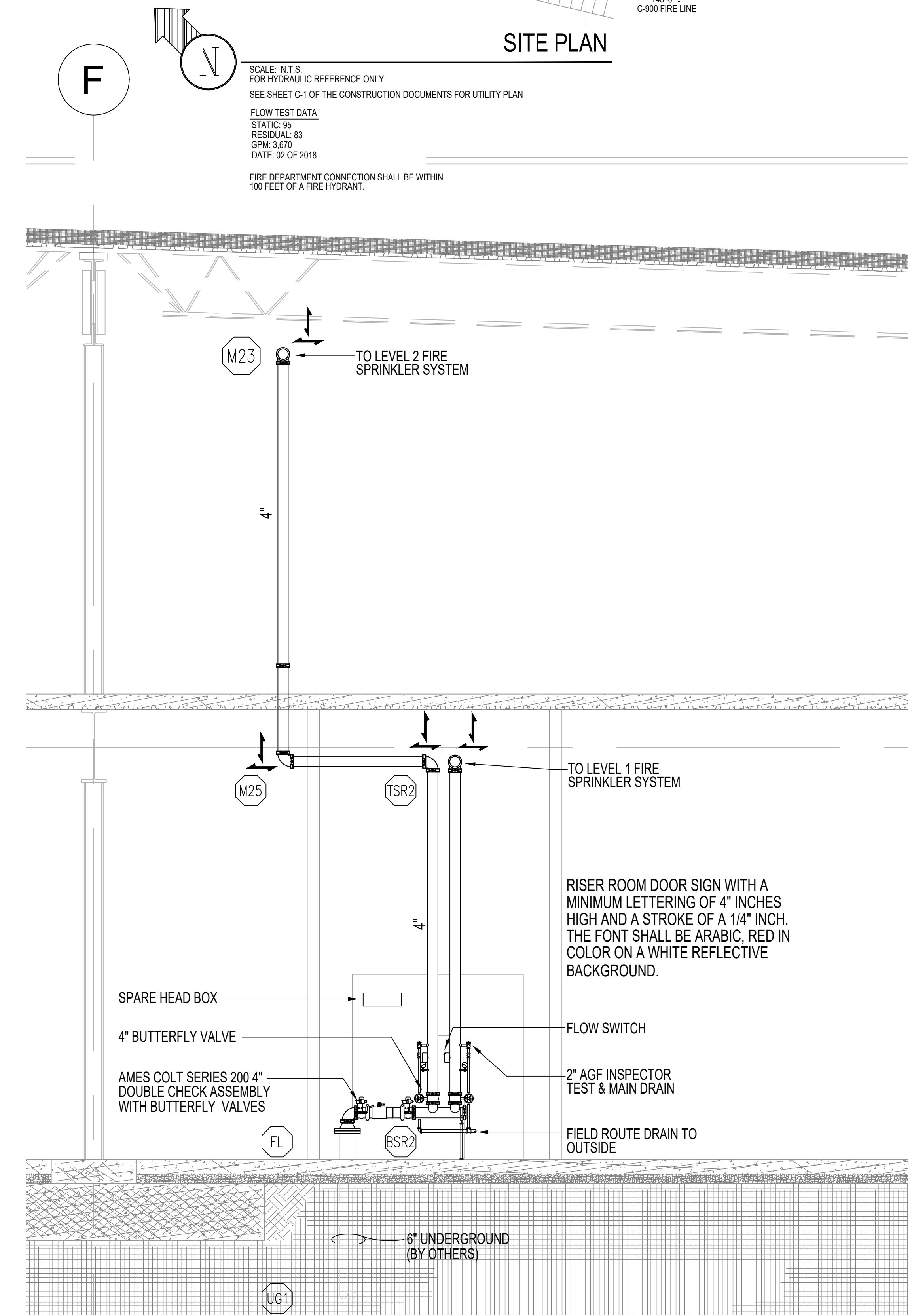
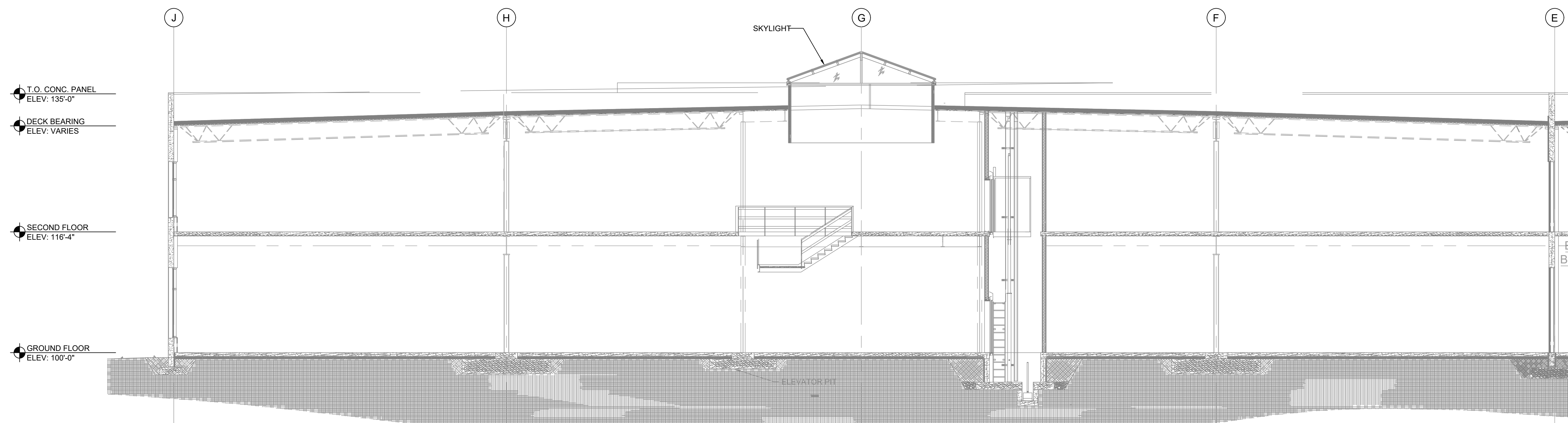
FIRE RISER ROOMS FOR ALL WATER BASED FIRE SYSTEMS (SPRINKLER AND STANDPIPE) SHALL BE CONSTRUED WITH THE FOLLOWING CLEARANCES:

- A. A MINIMUM OF 12" INCHES THAT IS UNOBSTRUCTED FROM ALL WALLS (INTERIOR AND EXTERIOR), TO THE FIRE APPLIANCES (VALVES (CONTROL / CHECK) AND RISER TRIM) TO INCLUDE MULTIPLE RISERS WHICH ARE SUPPLIED BY ONE OR MORE SUPPLY MAINS.
- B. A MINIMUM OF 36" INCHES SHALL BE PROVIDED IN FRONT OF THE APPLIANCES LISTED ABOVE.
- C. RISER ROOMS SHALL BE PROVIDED WITH A CLEAR AND UNOBSTRUCTED PASSAGEWAY TO THE RISER ROOM OF NOT LESS THEN 36" INCHES AND THE OPENING INTO THE ROOM SHALL BE CLEAR AND UNOBSTRUCTED WITH DOORS SWINGING IN THE OUTWARD DIRECTION FROM THE ROOM AND THE OPENING PROVIDING A CLEAR WIDTH OF NOT LESS THAN 34" INCHES AND A CLEAR HEIGHT OF THE DOOR OPENING SHALL NOT BE LESS THAN 80" INCHES.
- D. THESE CLEARANCES ARE A REQUIREMENT OF THE SALT LAKE CITY FIRE MARSHAL AND SHALL BE PROVIDED BY THE GENERAL CONTRACTOR.



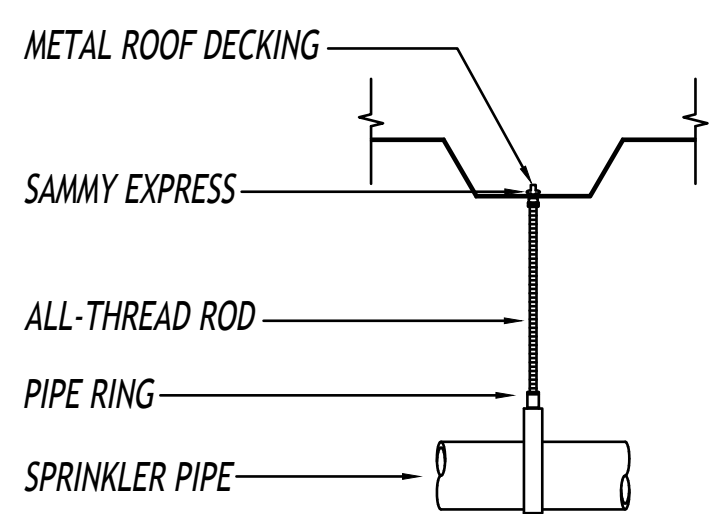
SITE PLAN

SCALE: N.T.S.
 FOR HYDRAULIC REFERENCE ONLY
 SEE SHEET C-1 OF THE CONSTRUCTION DOCUMENTS FOR UTILITY PLAN
 FLOW TEST DATA
 STATIC: 95
 RESIDUAL: 83
 GPM: 1,870
 DATE: 02 OF 2018
 FIRE DEPARTMENT CONNECTION SHALL BE WITHIN 100 FEET OF A FIRE HYDRANT.



RISER DETAIL

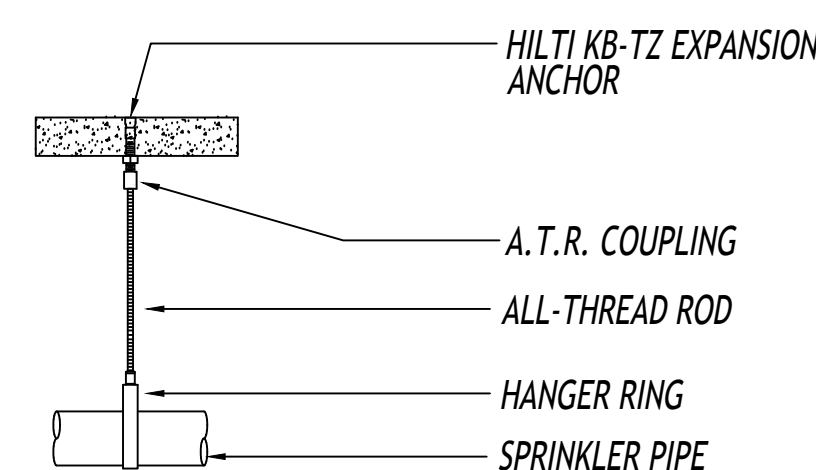
SCALE: 3/8" = 1'-0"



METAL DECK SAMMY HANGER

SCALE: N.T.S. FOR 1" ARM OVERS ONLY

PIPE SIZE	AT-ROD
4 INCHES OR LESS	3/8"
6 AND 8 INCHES	N/A
10 AND 12 INCHES	N/A



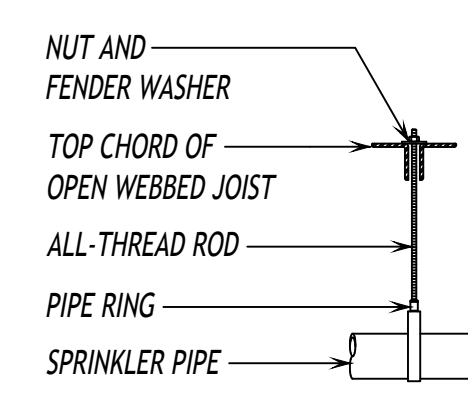
HILTI (KB-TZ EXPANSION ANCHOR)

SCALE: N.T.S.

1/2" X 3" FOR 8" & 6"
 1/2" X 4" FOR 8"
 3/8" X 3" FOR 4" & SMALLER

PIPE SIZE	MM	IN.	MM
UP TO AND INCLUDING 4 IN.	100MM	3/8	10
5 IN.	125MM	1/2	13
6 IN.	150MM		
8 IN.	200MM		
10 IN.	250MM	5/8	15
12 IN.	300MM	3/4	20

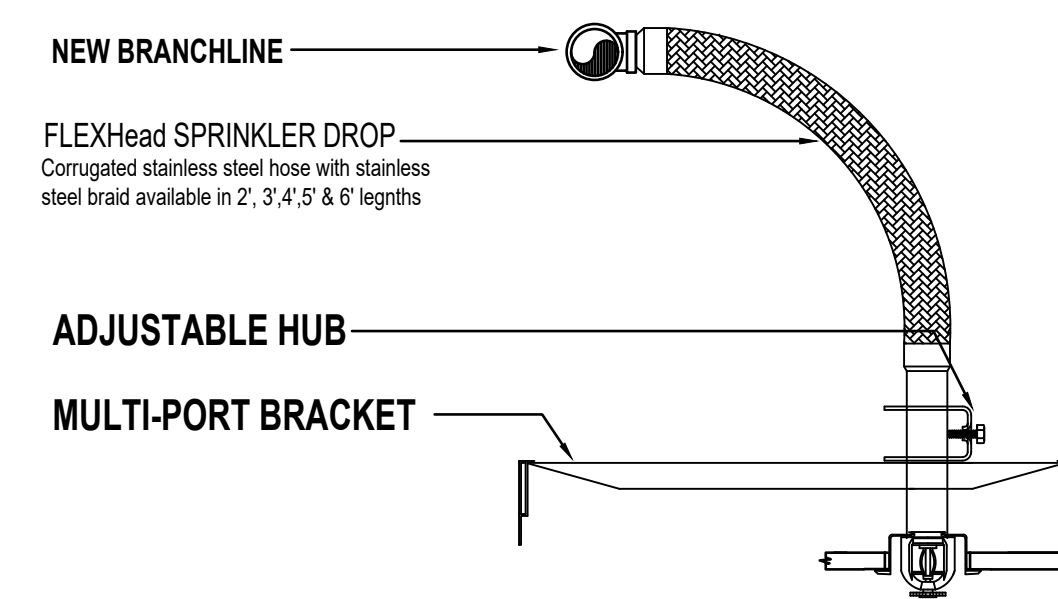
PIPE SIZE	MM	DIAMETER OF ROD	MM
UP TO AND INCLUDING 4 IN.	100MM	3/8	9.5
5 IN., 6 IN., AND 8 IN.	125MM	1/2	12.7
8 IN., 10 IN., AND 12 IN.	150MM	5/8	15.9



NUT & WASHER HANGER

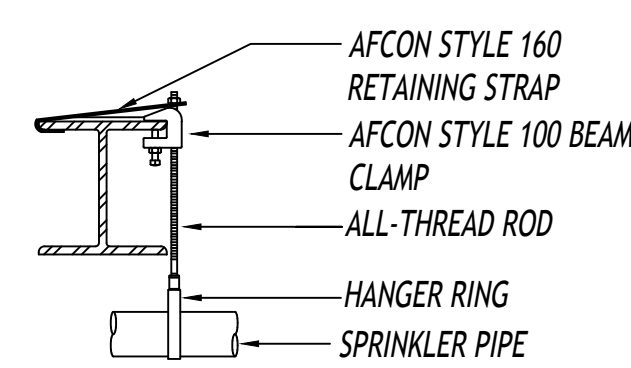
SCALE: N.T.S.

PIPE SIZE	AT-ROD
4 INCHES OR LESS	3/8"
6 AND 8 INCHES	1/2"
10 AND 12 INCHES	5/8"



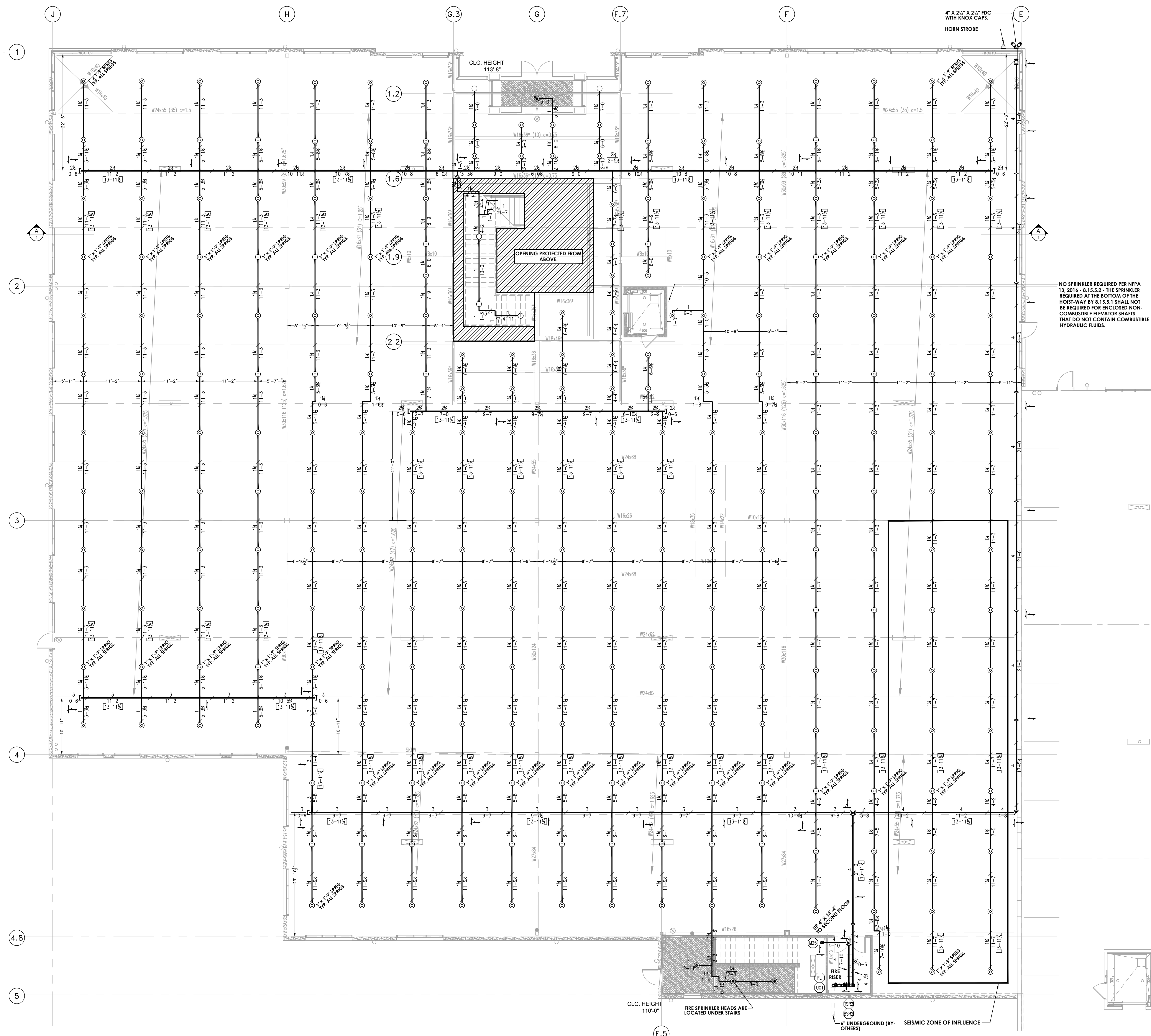
FLEXHEAD DROP DETAIL

SCALE: N.T.S.



BEAM CLAMP HANGER

SCALE: N.T.S.



NO SPRINKLER REQUIRED PER NFPA 13, 2014 - 8.15.5.2 - THE SPRINKLER REQUIRED AT THE BOTTOM OF THE HOIST-WAY BY 8.15.5.1 SHALL NOT BE REQUIRED FOR ENCLOSED NON-COMBUSTIBLE ELEVATOR SHAFTS THAT DO NOT CONTAIN COMBUSTIBLE HYDRAULIC FLUIDS.

FIRE PROTECTION PLAN - LEVEL 1 - CENTREPOINTE BUILDING D
 SCALE: 1/8"=1'-0"
 1
 FP-2

Sway Bracing Calculations per 2016 NFPA 13

Project/Contractor information		Seismic Brace Attachments					
Project:	Structure Attachment Adapter:	TOLCO Figure 909 - No Thread Swivel Sway Brace Attachment					
Project Address:	Listed load rating:	1,370 lb.	Listed load rating: 988 lb.				
Project City/St:	Contractor:	TOLCO					
Contractor Address:	Structure Attachment Fitting:	TOLCO					
Contractor City/St:	Listed load rating:	N/A	Adj. load rating per 9.3.5.2.3: N/A				
Brace Pipe Information		Brace Pipe Adapter:					
Length of Brace:	4.80 in	TOLCO Figure 1001 Fast Clamp - Sway Brace Attachment					
Diameter of Brace:	1 inch	Listed load rating:	2,000 lb. Adj. load rating per 9.3.5.2.3: 1,414 lb.				
Type of Brace:	Schedule 40	Sway Brace Fitting:					
Angle of Brace:	90° to 90°	TOLCO					
Least Radius of Gyration:	0.421	Listed load rating:	N/A Adj. load rating per 9.3.5.2.3: N/A				
L/R Value:	200	Seismic Brace Assembly Detail					
Maximum Horizontal Load:	1,744						
Fastener Information		Brace identification no. (to be used on plan):					
NFPA 13 Fastener:	<input checked="" type="checkbox"/> NFPA 13 Fastener	<input type="checkbox"/> Lateral Brace <input type="checkbox"/> Longitudinal Brace <input type="checkbox"/> 4-Way Brace					
Listed Adapter:	<input type="checkbox"/> Listed Adapter						
Structural Supporting Member:	Concrete						
Orientation of connecting surface:	C						
Fastener Type:	Wedge Anchor						
Fastener Diameter:	1/2"						
Fastener Length (under head):	3.58"						
Maximum Load:	910 lb.						
Sprinkler System Load Calculation [Fpw = CpWp(default is 0.5 Cp)] Ss .95 Cp0.5							
Diameter	Type	Length (ft)	Total (ft)	Weight per ft	Cp	Total Weight	
3 in	Schedule 10	20 FT	20 FT	7.94 lb/ft	0.5	198.8	
1 1/4 in	Schedule 40	188 FT	188 FT	2.92 lb/ft	0.5	550.94	
Total Weight						749.74	
Brace Connection						Fpw x 1.15	861

3" Lateral Brace - 20'-0" MAX SPACING

Sway Bracing Calculations per 2016 NFPA 13

Project/Contractor information		Seismic Brace Attachments					
Project:	Structure Attachment Adapter:	TOLCO Figure 909 - No Thread Swivel Sway Brace Attachment					
Project Address:	Listed load rating:	1,370 lb.	Listed load rating: 988 lb.				
Project City/St:	Contractor:	TOLCO					
Contractor Address:	Structure Attachment Fitting:	TOLCO					
Contractor City/St:	Listed load rating:	N/A	Adj. load rating per 9.3.5.2.3: N/A				
Brace Pipe Information		Brace Pipe Adapter:					
Length of Brace:	4.80 in	TOLCO Figure 4L-1 - Pipe Clamp - Sway Brace Attachment					
Diameter of Brace:	1 inch	Listed load rating:	1,800 lb. Adj. load rating per 9.3.5.2.3: 707 lb.				
Type of Brace:	Schedule 40	Sway Brace Fitting:					
Angle of Brace:	90° to 90°	TOLCO					
Least Radius of Gyration:	0.421	Listed load rating:	N/A Adj. load rating per 9.3.5.2.3: N/A				
L/R Value:	200	Seismic Brace Assembly Detail					
Maximum Horizontal Load:	1,744						
Fastener Information		Brace identification no. (to be used on plan):					
NFPA 13 Fastener:	<input checked="" type="checkbox"/> NFPA 13 Fastener	<input type="checkbox"/> Lateral Brace <input checked="" type="checkbox"/> Longitudinal Brace <input type="checkbox"/> 4-Way Brace					
Listed Adapter:	<input type="checkbox"/> Listed Adapter						
Structural Supporting Member:	Concrete						
Orientation of connecting surface:	C						
Fastener Type:	Wedge Anchor						
Fastener Diameter:	1/2"						
Fastener Length (under head):	3.58"						
Maximum Load:	910 lb.						
Sprinkler System Load Calculation [Fpw = CpWp(default is 0.5 Cp)] Ss .95 Cp0.5							
Diameter	Type	Length (ft)	Total (ft)	Weight per ft	Cp	Total Weight	
3 in	Schedule 10	70 FT	70 FT	7.94 lb/ft	0.5	555.58	
Total Weight						555.58	
Brace Connection						Fpw x 1.15	639.17

CALC # : 1
 DENSITY : 0.20 / 1,500 sq.ft.
 GPM : 568.597
 PSI : 75.450
 LOCATION : TEST
 OUTSIDE HOSE : 250 GPM
 INSIDE HOSE :

NO SPRINKLER REQUIRED PER NFPA 13, 2016 SECTION 8.15.7.2 - SPRINKLERS SHALL BE OMITTED WHERE THE EXTERIOR CANOPIES, ROOFS, PORCHES, BALCONIES, DECKS, AND SIMILAR PROJECTIONS ARE CONSTRUCTED WITH MATERIALS THAT ARE NONCOMBUSTIBLE, LIMITED COMBUSTIBLE OR FIRE RETARDANT TREATED WOOD AS DEFINED IN NFPA 703, OR WHERE THE PROJECTIONS ARE CONSTRUCTED USING A NON-COMBUSTIBLE FRAME, LIMITED COMBUSTIBLES OR FIRE RETARDANT TREATED WOOD WITH AN INHERENTLY FLAME RESISTANT FABRIC OVERLAY AS DEMONSTRATED BY TEST METHOD 2 IN ACCORDANCE WITH NFPA 701.

NO SPRINKLER REQUIRED PER NFPA 13, 2016 - 8.15.5.2 - THE SPRINKLER REQUIRED AT THE BOTTOM OF THE HOIST-WAY BY 8.15.5.1 SHALL NOT BE REQUIRED FOR ENCLOSED NON-COMBUSTIBLE ELEVATOR SHAFTS THAT DO NOT CONTAIN COMBUSTIBLE HYDRAULIC FLUIDS.

Sway Bracing Calculations per 2016 NFPA 13

Project/Contractor information

Project: _____
 Project Address: _____
 Project City/St: _____
 Contractor: _____
 Contractor Address: _____
 Contractor City/St: _____

Seismic Brace Attachments

Structure Attachment Adapter:
 TOLCO Figure 909 - No Thread Swivel Sway Brace Attachment
 Listed load rating: 1,370 lb. Listed load rating: 968 lb.

Structure Attachment Fitting:
 TOLCO NA
 Listed load rating: NA Adj. load rating per 9.3.5.2.3: NA

Brace Pipe Adapter:
 TOLCO Figure 1001 Fast Clamp - Sway Brace Attachment
 Listed load rating: 2,000 lb. Adj. load rating per 9.3.5.2.3: 1,414 lb.

Sway Brace Fitting:
 TOLCO NA
 Listed load rating: NA Adj. load rating per 9.3.5.2.3: NA

Brace Pipe Information

Length of Brace: 4.8 ft
 Diameter of Brace: 1 inch
 Type of Brace: Schedule 40
 Angle of Brace: 45° to 59°
 Least Radius of Gyration: 0.421
 L/R Value: 200
 Maximum Horizontal Load: 1,744

Fastener Information

NFPA 13 Fastener Listed Adapter
 Structural Supporting Member: Open Web Bar Joist
 Orientation of connecting surface: B
 Fastener Type: A.T.R. / Nut / Washer
 Fastener Diameter: 7/8"
 Fastener Length (under head): 1 1/2" - Field Order
 Maximum Load: 1,350 lb.

Seismic Brace Assembly Detail

Brace identification no. (to be used on plan) LEVEL 2

Lateral Brace Longitudinal Brace 4-Way Brace

Sprinkler System Load Calculation [Fpw = CpWp(default is 0.5 Cp)] Ss .95 Cp0.5

Diameter	Type	Length (ft)	Total (ft)	Weight per ft	Cp	Total Weight
3 in	Schedule 10	20 FT	20 FT	7.94 lb/ft	0.5	158.8
1 1/4 in	Schedule 40	91 FT	91 FT	2.93 lb/ft	0.5	266.63
Total Weight						425.43
Brace Connection Fpw x 1.15						489.24

3" Lateral Brace - 40'-0" MAX SPACING

Sway Bracing Calculations per 2016 NFPA 13

Project/Contractor information

Project: _____
 Project Address: _____
 Project City/St: _____
 Contractor: _____
 Contractor Address: _____
 Contractor City/St: _____

Seismic Brace Attachments

Structure Attachment Adapter:
 TOLCO Figure 909 - No Thread Swivel Sway Brace Attachment
 Listed load rating: 1,370 lb. Listed load rating: 968 lb.

Structure Attachment Fitting:
 TOLCO NA
 Listed load rating: NA Adj. load rating per 9.3.5.2.3: NA

Brace Pipe Adapter:
 TOLCO Figure 4L-1 - Pipe Clamp - Sway Brace Attachment
 Listed load rating: 1,000 lb. Adj. load rating per 9.3.5.2.3: 727 lb.

Sway Brace Fitting:
 TOLCO NA
 Listed load rating: NA Adj. load rating per 9.3.5.2.3: NA

Brace Pipe Information

Length of Brace: 4.8 ft
 Diameter of Brace: 1 inch
 Type of Brace: Schedule 40
 Angle of Brace: 45° to 59°
 Least Radius of Gyration: 0.421
 L/R Value: 200
 Maximum Horizontal Load: 1,744

Fastener Information

NFPA 13 Fastener Listed Adapter
 Structural Supporting Member: Open Web Bar Joist
 Orientation of connecting surface: B
 Fastener Type: A.T.R. / Nut / Washer
 Fastener Diameter: 7/8"
 Fastener Length (under head): 1 1/2" - Field Order
 Maximum Load: 1,350 lb.

Seismic Brace Assembly Detail

Brace identification no. (to be used on plan) LEVEL 2

Lateral Brace Longitudinal Brace 4-Way Brace

Sprinkler System Load Calculation [Fpw = CpWp(default is 0.5 Cp)] Ss .95 Cp0.5

Diameter	Type	Length (ft)	Total (ft)	Weight per ft	Cp	Total Weight
3 in	Schedule 10	70 FT	70 FT	7.94 lb/ft	0.5	555.8
Total Weight						555.8
Brace Connection Fpw x 1.15						639.17

3" Longitudinal Brace 70'-0" MAX SPACING

1 FIRE PROTECTION PLAN - LEVEL 2

FP-3 SCALE 1/8"=1'-0"

